

WASCOMAT TD30•30 STACK DRYER

Gas saving, fast drying, with unique "Engineered Airflow®"
Coin or CashCard Activated

TD30•30 Features & Benefits

- Lowest gas consumption for optimum efficiency that no other dryer can match.
- Reversible large doors for easy loading and unloading.
- Simple installation – only one external connection for utilities and exhaust.
- Easy service from front and rear.
- State-of-the-art microprocessor control for:
 - accurate temperature selection
 - displays selected drying cycle status
 - automatic cool down
 - end of drying cycle signal
 - automatic anti-crease feature
 - automated diagnostic system for easy servicing.
- White or almond front panels, stainless steel optional.

REDUCE GAS CONSUMPTION UP TO 30%!



**Gas saving, coin metered
Wascomat TD
single pocket dryer models
are available in:**

30 lb., 50 lb. & 75 lb. capacities



*Available in choice of drop coin meter
or CashCard activated models.*

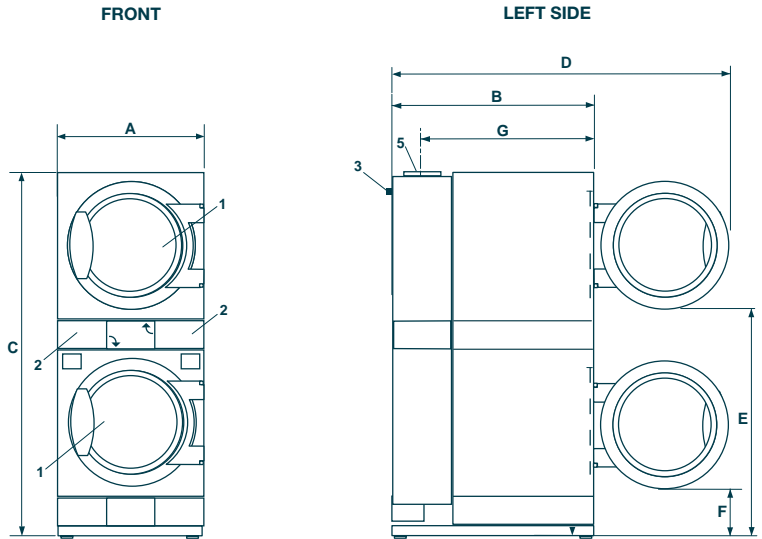
EXCELLENT LOW-COST FINANCING AVAILABLE

Wascomat Laundry Equipment

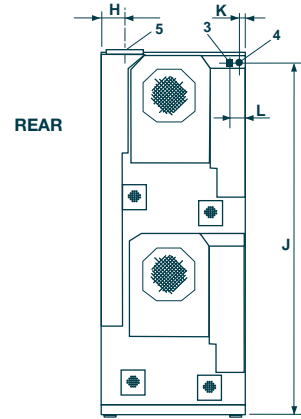
The Standard of Quality for Over 100 Years!

Technical Specifications

Model	TD30-30	
Capacity (lb/kg)	30x30	14
Width - A (in/mm)	31 1/8	790
Depth - B (in/mm)	43 11/16	1110
Height - C (in/mm)	77 3/16	1960
Depth with door open - D (in/mm)	72 7/16	1840
Bottom of upper door - E (in/mm)	47 13/16	1215
Bottom of lower door - F (in/mm)	10 1/4	260
Door opening diameter (in/mm)	22 13/16	580
Cylinder volume (ft ³ /l)	10.6	300
Cylinder diameter (in/mm)	29 15/16	760
Cylinder depth (in/mm)	26	660
Noise level (dBA)	<70	
Net wt (lb/kg)	597	271
Crated weight (lb/kg)	622	282
Utility Connections		
Exhaust duct diameter (in/mm)	8	200
Gas connection	1/2 NPT	
Exhaust - G (in/mm)	36 7/16	925
Exhaust - H (in/mm)	5 1/8	130
Electrical and gas connections - J	74 7/16	1890
Gas connection - K (in/mm)	1	25
Electrical connection - L (in/mm)	3 15/16	100
Energy Data		
Gas (BTU/h) (per pocket)	71,600	
Airflow (ft ³ /min) / (m ³ /h) (per pocket)	383	650
Electrical Requirements		
Voltage/frequency/phase	120/60/1 or 280-240/60/1	
Full-load current (Amps) 120V	10 (per pocket)	
208-240V	5.5 (per pocket)	
Circuit breaker (Amps) 120V	15 (per pocket)	
208-240V	15 (per pocket)	
Motor output - blower (hp/kW)	1/2	0.4
Motor output - drum (hp/kW)	1/2	0.4
Pressures		
Gas (inches H ₂ O/mbar): Natural	7-10	18-25
LP	12	30
Exhaust (inches H ₂ O/mbar) (max)	0.35	0.87



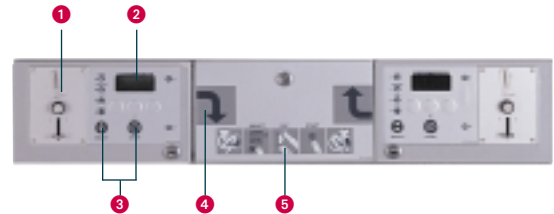
1. Door opening
2. Control panel
3. Electrical connection
4. Gas connection
5. Exhaust connection



Refer installation and servicing to qualified, licensed personnel. Always read installation and operating manuals and consult local codes before installation. Protect machines with properly rated, inverse-time, common-trip, industrial-type circuit breakers ONLY. Warranty void if not properly installed. Advise when placing order if dryers are for installation at altitudes in excess of 1000 feet above sea level, as this may require a gas-orifice change. Contact Wascomat for more information and availability of machines for electric services not listed. Specifications subject to change without notice. Wascomat assumes no responsibility for errors or omissions in this information.

User-friendly Control Panel

1. Available in choice of drop coin meter and CashCard payment systems.
2. Large, bright LED readout shows program selection and time left to end of cycle. Detailed diagnostic codes make troubleshooting easy.
3. Push-button ease to select temperature and start dryer.
4. Clearly marked with large arrows to show controls and coin box for upper and lower dryers.
5. Universal pictograms and text provide easy to follow, step-by-step instructions.



For more information on the full line of Wascomat washers, dryers and low-cost financing, call Wascomat toll free today.

Wascomat Laundry Equipment

1-800-645-2204 • www.wascomat.com

461 Doughty Blvd., Inwood, L.I., N.Y. 11096-0338
 Sales and Administration – Tel: 516-371-4400 • Fax: 516-371-4204 • e-mail: sales@wascomat.com
 Spare Parts – Tel: 516-371-2000 • Fax: 516-371-4029 • e-mail: parts@wascomat.com
 Technical Support – Tel: 516-371-0700 • Fax: 516-371-4029
 En Mexico: Llame gratis a este numero 001-800-010-1010



Your local independent authorized dealer

